

# TROJAN™

## SUMMIT 280

ELLIPTICAL

8 MANUAL  
LEVELS

CARDIO



USER MANUAL



### CAUTION

READ ALL PRECAUTIONS AND  
INSTRUCTIONS IN THIS MANUAL  
BEFORE USING THIS EQUIPMENT.  
KEEP THIS MANUAL FOR  
FUTURE REFERENCE.

Visit [facebook.com/trojanhealth](https://www.facebook.com/trojanhealth)  
[www.trojanhealth.co.za](http://www.trojanhealth.co.za)  
[www.instagram.com/trojanhealth](https://www.instagram.com/trojanhealth)

# INDEX

- Important Safety Instructions \_\_\_\_\_ 3
- Pre Assembly Check List \_\_\_\_\_ 5
- Hardware & Tools List \_\_\_\_\_ 6
- Parts List \_\_\_\_\_ 8
- Exploded Drawing \_\_\_\_\_ 10
- Assembly Steps \_\_\_\_\_ 12
- Console Functions \_\_\_\_\_ 18
- Exercise Instructions \_\_\_\_\_ 20
- Fitness Tips & Techniques \_\_\_\_\_ 22
- Conditioning Guidelines \_\_\_\_\_ 23
- Warm Up & Cool Down \_\_\_\_\_ 24
- Maintenance \_\_\_\_\_ 25
- Troubleshooting \_\_\_\_\_ 25
- 2 Year Limited Warranty \_\_\_\_\_ 26
- Repairs Procedure \_\_\_\_\_ 27

# IMPORTANT SAFETY INSTRUCTIONS

It is the sole responsibility of the purchaser of Trojan products to read the owner's manual, warning labels and instruct all individuals, on proper usage of the equipment. Understanding each and every warning to the fullest is important. If any of these instructions or warnings are unclear please contact Trojan Customer Services on **0861 TROJAN (0861 876526)**, within the Republic of South Africa. Customers residing outside South Africa can contact us on +27 10 206 4405.

The equipment is only intended for home use and is not intended for commercial, institutional and/or studio facilities use.

Contact Trojan with any questions regarding this classification. It is recommended that all users of Trojan be informed of the following information prior to use.



## HEALTH WARNING

---

- Before starting any exercise or conditioning program you should consult with your personal physician to see if you require a complete physical exam. This is especially important if you are inactive, pregnant or suffer from any illness.
- If at any time during exercise you feel faint, dizzy or experience pain, stop exercising immediately and consult your physician.
- To avoid muscular pain and strain, begin each workout by stretching and warming up and end each session by cooling down and stretching.



## INSTALLATION

---

Trojan recommends that all equipment:

- Be secured to or set up on a solid, level surface to stabilise and eliminate rocking or tipping over during training.
- Be set up inside your home away from moisture and dust (the equipment is not designed for outdoor use).
- Be set up with sufficient ventilation to ensure proper operation.
- Be set up with sufficient space around the equipment so that all exercises can be completed safely. It is recommended that there should be at least 1 m of space around the equipment where access is required to exercise.



## PROPER USAGE

---

- Do not use the equipment in any way other than as designed or intended by the manufacturer. It is imperative that Trojan equipment is used properly to avoid injury.
- Injuries may result from exercising improperly or excessively.
- Your Trojan equipment should only be used by 1 person at a time.
- Be careful to maintain your balance while using, mounting, dismounting or assembling your Trojan equipment to avoid injury.
- Do not attempt to adjust the seat or handlebars while you are on your Trojan equipment.
- Servicing other than the procedures in this manual should be performed by an authorised service representative only.

# IMPORTANT SAFETY INSTRUCTIONS



## ACCESS CONTROL

---

- Trojan recommends that all fitness equipment be used in a supervised area. It is recommended that the equipment be located in an access controlled area. Control is the responsibility of the owner. Keep children away from all equipment.
- Parents or other supervising adults must provide close supervision of children if the equipment is used in the presence of children.



## INSPECTION

---

- Do not use or permit use of any equipment that is damaged, or has worn or broken parts. For all Trojan equipment use only replacement parts supplied by Trojan.
- Always make sure that all nuts and bolts are tightened prior to each use.
- Maintain labels and nameplates – do not remove labels for any reason. They contain important information.
- Equipment maintenance – preventative maintenance is the key to smooth operating equipment. Please ensure that you follow our maintenance tips to ensure the continued correct function of your Trojan equipment.
- Before any use, examine all accessories approved for use with the Trojan equipment for damage or wear.
- Should your Trojan equipment appear damaged or worn, do not attempt to use or repair the equipment yourself.
- Please contact our service department on **0861 TROJAN (0861 876526)** to arrange a repair. Customers residing outside South Africa can contact us on +27 10 206 4405.



## OPERATING WARNINGS

---

- It is the purchaser's responsibility to instruct all users as to the proper operating procedures of all Trojan equipment.
- Keep children away from all moving parts. Parents must provide close supervision of children if the equipment is used in the presence of children.
- Do not wear loose fitting clothing or jewellery when using the equipment. It is also recommended that users tie up long hair to avoid contact with moving parts.
- Ensure that anyone not using the equipment stays clear of the user, accessories and moving parts while the machine is in operation.



## USER WEIGHT LIMITATIONS

---

- This Trojan Summit 280 Elliptical Trainer may not be used by persons weighing more than 120 kg.

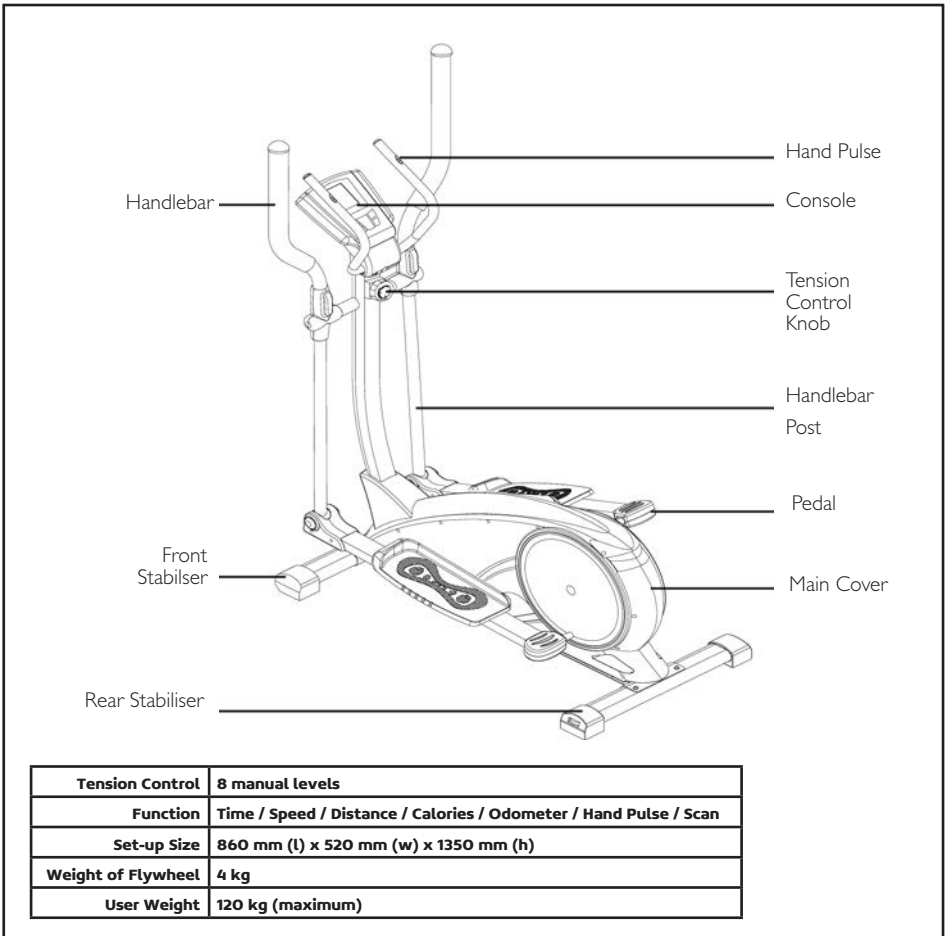
SAVE THIS INSTRUCTION MANUAL FOR FUTURE USE AND REFERENCE.

If any of these instructions or warnings are unclear please contact Trojan Customer Services on **0861 TROJAN (0861 876526)** within the Republic of South Africa or visit **www.trojanhealth.co.za**. Customers residing outside South Africa can contact us on +27 10 206 4405.

# PRE ASSEMBLY CHECK LIST

Thank you for choosing the Trojan Summit 280 Elliptical Trainer. We take great pride in producing this product and hope it will provide many hours of quality exercise to make you feel better, look better and enjoy life to its fullest. Yes, it's a proven fact that a regular exercise program can improve your physical and mental health. Too often, our busy lifestyles limit our time and opportunity to exercise. The Trojan Summit 280 Elliptical Trainer provides a convenient and simple method to begin your assault on getting your body in shape and achieving a healthier lifestyle. Before reading further, please review the drawing below and familiarise yourself with the parts that are labelled.

Read this manual carefully before using the Trojan Summit 280 Elliptical Trainer.

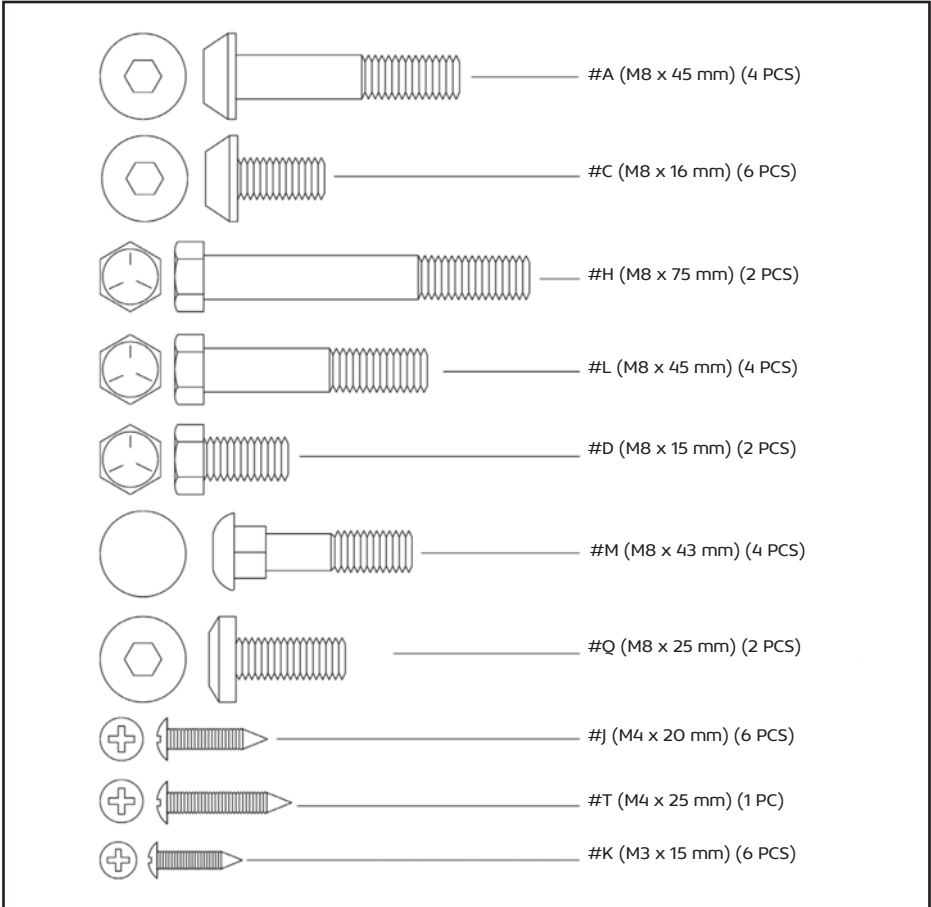


<b>Tension Control</b>	<b>8 manual levels</b>
<b>Function</b>	<b>Time / Speed / Distance / Calories / Odometer / Hand Pulse / Scan</b>
<b>Set-up Size</b>	<b>860 mm (l) x 520 mm (w) x 1350 mm (h)</b>
<b>Weight of Flywheel</b>	<b>4 kg</b>
<b>User Weight</b>	<b>120 kg (maximum)</b>










# HARDWARE & TOOLS LIST

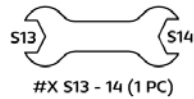
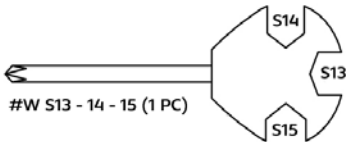
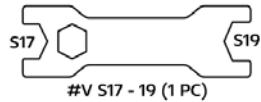
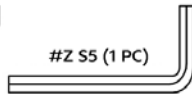
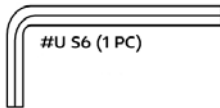
## INSTRUCTIONS FOR ASSEMBLY

- Before you start to assemble, please check the hardware packaging to make sure all parts are included.
- Basic tools, such as spanners will be provided for assembly.



# HARDWARE & TOOLS LIST

-  \_\_\_\_\_ #I (M8) (10 PCS)
-  \_\_\_\_\_ #F (M10) (2 PCS)
-  \_\_\_\_\_ #O (D8.5 x Ø20 x R30 mm) (2 PCS)
-  \_\_\_\_\_ #N (D8.5 x Ø20 x R16 mm) (4 PCS)
-  \_\_\_\_\_ #S (D19.4 x Ø24 mm) (4 PCS)
-  \_\_\_\_\_ #G (D10.5 x Ø32 mm) (2 PCS)
-  \_\_\_\_\_ #E (D8.5 x Ø32 mm) (2 PCS)
-  \_\_\_\_\_ #B (D8.5 x Ø16 mm) (14 PCS)
-  \_\_\_\_\_ #P (D8.2 mm) (4 PCS)



# PARTS LIST

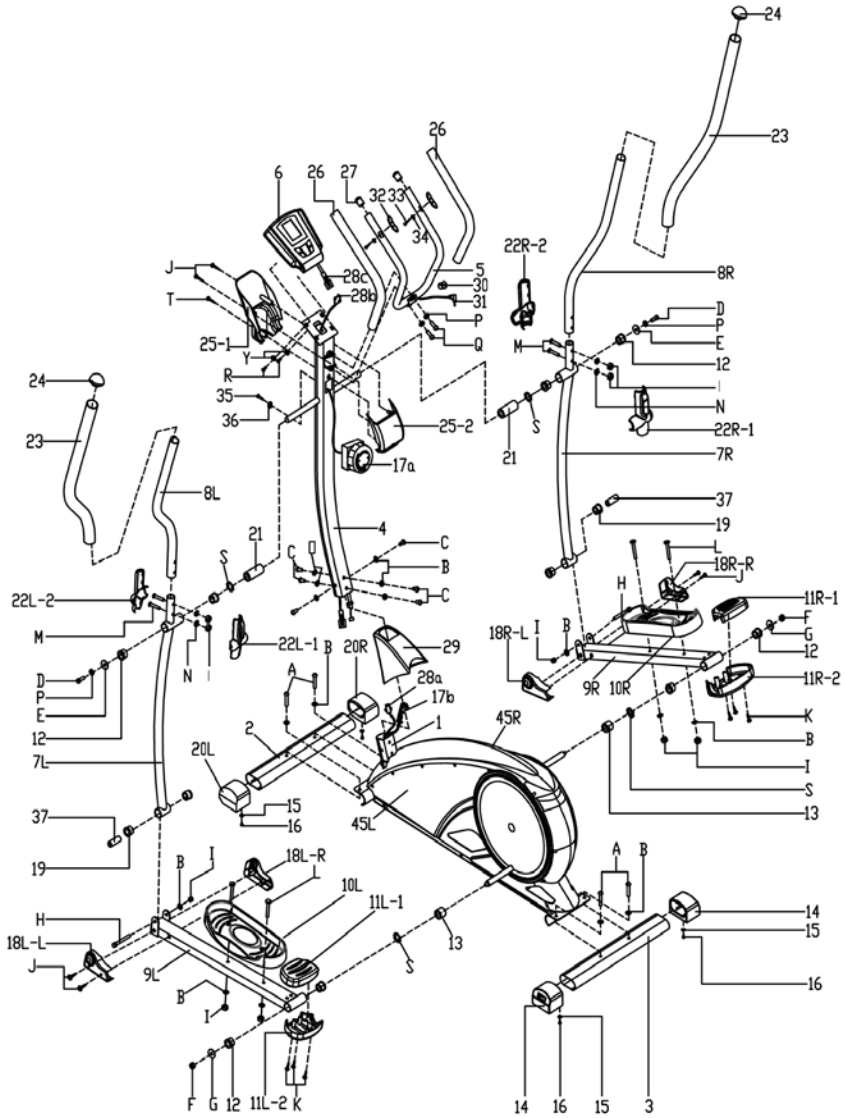
No.	Description	Qty	No.	Description	Qty
A	Bolt (M8 x 45 mm)	4	4	Front Post	1
B	Washer (Ø8.4 x Ø16 x 1.5T)	14	5	The Middle Handlebar	1
C	Bolt (M8 x 16 mm)	6	6	Console	2
D	Hex Head Bolt (M8 x 15 mm)	2	7 R, L	Lower Handlebar (R, L)	2
E	Washer (Ø8.2 x Ø32 x 2.0T)	2	8 R, L	Upper Handlebar (R, L)	2
F	Nut (M10)	2	9 R, L	Pedal Arm (R, L)	2
G	Washer (Ø10.2 x Ø32 x 2.0T)	2	10 R, L	Pedal (R, L)	2
H	Hex Head Bolt (M8 x 75 mm)	2	11 R1, R2	End Cap	2
I	Nut (M8)	10	11 L1, L2	End Cap	2
J	Screw (M4 x 20 mm)	6	12	Steel Bushing	8
K	Screw (M3 x 15 mm)	6	13	Plastic Spacer	2
L	Hex Head Bolt (M8 x 45 mm)	4	14	End Cap	2
M	Bolt (M8 x 43 mm)	4	15	Washer	4
N	Arc Washer (Ø8.5 x Ø20 mm)	4	16	Screw	4
O	Arc Washer (Ø8.5 x Ø20 x R30 mm)	2	17 a, b	Tension Knob and Cable	1 set
P	Spring Washer (Ø8.2 mm)	4	18 RR, RL	End Cap	2
Q	Bolt (M8 x 25 mm)	2	18 LR, LL	End Cap	2
R	Screw (M4 x 12 mm)	2	19	Steel Bushing	4
S	Washer (Ø19.4 x Ø24 mm)	4	20 R, L	End Cap	2
T	Screw (M4 x 25 mm)	1	21	Plastic Spacer	2
U	Wrench (S6)	1	22 R1, R2	Handlebar Cover (right)	2
V	Wrench (S17-19)	1	22 L1, L2	Handlebar Cover (left)	2
W	Wrench (S13-14-15)	1	23	Sponge Tube	2
X	Wrench (S13-14)	1	24	End Cap	2
Y	Washer (ID4)	2	25.1, 25.2	Handlebar Cover (middle)	2
Z	Wrench (S5)	1	26	Sponge Tube	2
1	Main Frame	1	27	End Cap	2
2	Front Stabiliser	1	28 a, b, c	Console Wire	1 set
3	Rear Stabiliser	1	29	Front Post Cover	1



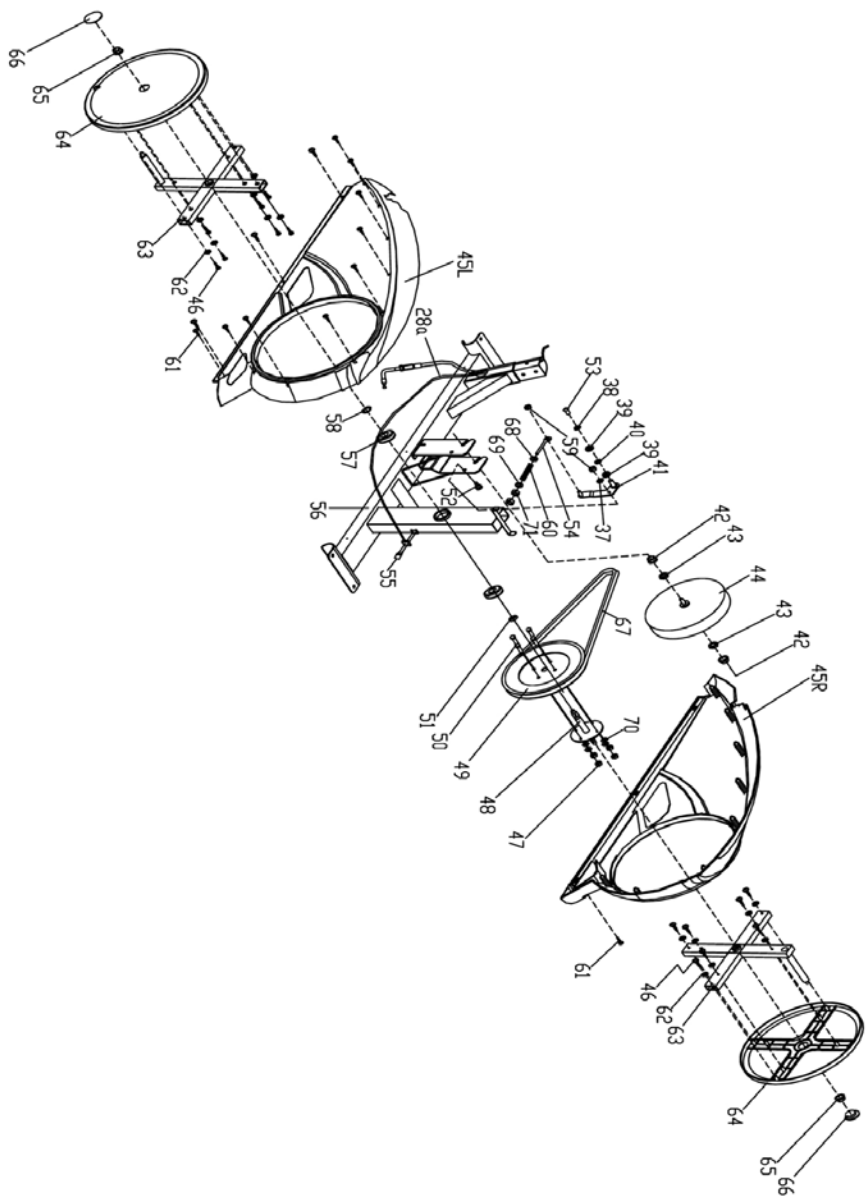
# PARTS LIST

No.	Description	Qty	No.	Description	Qty
30	Strain Relief Bushing	1	53	Bolt	1
31	Handle Pulse Wire	1	54	Bolt	1
32	Handle Pulse Sensor	2	55	Screw (M3 x 10 mm)	2
33	Screw	2	56	Cycle Body	1
34	Washer	2	57	Pulley	2
35	Screw	1	58	Spring Washer	1
36	Curved Washer	1	59	Nut	2
37	Strain Relief Bushing	2	60	Spring	1
38	Washer	1	61	Screw (ST4.2 x 20 mm)	15
39	Pulley	2	62	Washer	14
40	Washer	1	63	Cross Iron	2
41	Bearing Slice	1	64	Plastic Cover	2
42	Nut	2	65	Nut	2
43	Nut	2	66	End Cap	2
44	Magnet Set	1	67	Belt	1
45 R, L	Chain Cover (R, L)	2	68	Flat Washer (Ø25 x Ø8.5 x 1.5 mm)	1
46	Screw (ST4.0 x 12 mm)	14	69	Flat Washer (Ø20 x Ø8.5 x 1.5 mm)	1
47	Nut	4	70	Spring Washer (Ø16 mm)	4
48	Shaft	1	71	Hexagonal Nut (M8)	2
49	Belt Roller	1			
50	Bolt	4			
51	Sleeve	1			
52	Bolt	1			

# EXPLODED DRAWING



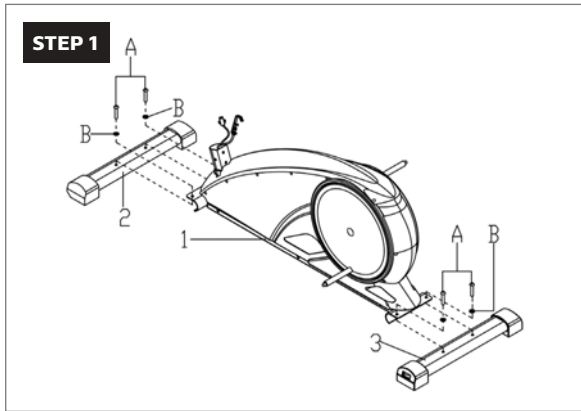
# EXPLODED DRAWING



# ASSEMBLY STEPS

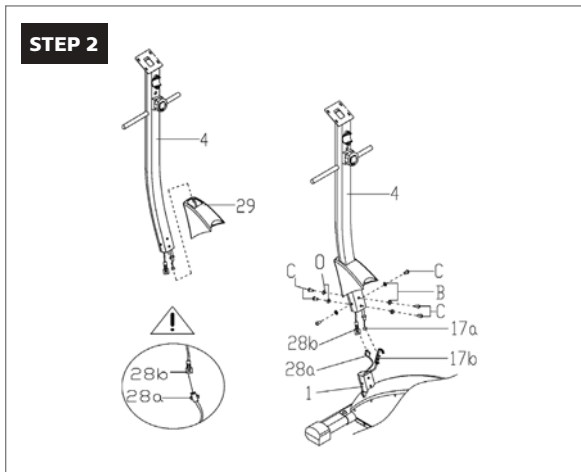
## 1. PREPARATION

- Before assembling make sure that you will have enough space around the item.
- Use the supplied parts and hardware for the assembly.
- Before assembling, please check whether all the required parts have been supplied as per the exploded drawing on the previous page.



### STEP 1: FRONT AND REAR STABILISERS INSTALLATION

Assemble the Front Stabiliser (2) and Rear Stabiliser (3) to the Main Frame (1) with 2 Bolts (A) and 2 Washers (B).



### STEP 2: INSTALLING THE UP-RIGHT POST

Slide the Front Post Cover (29) on to the Front Post (4).

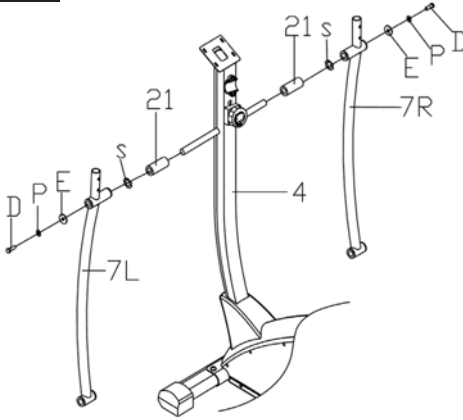
Connect the Tension Knob (17 a) and the Cable (17 b) together and the Console Wire (28 a) to the Wire (28 b) from the Main Frame (1).

Assemble the Front Post (4) to the Main Frame (1) with 4 Bolts (C), 4 Washers (B) and 4 Curved Washers (O).

Slide the Front Post Cover (29) down on the Front Post (4) so that it rests on the Main Frame (1).

# ASSEMBLY STEPS

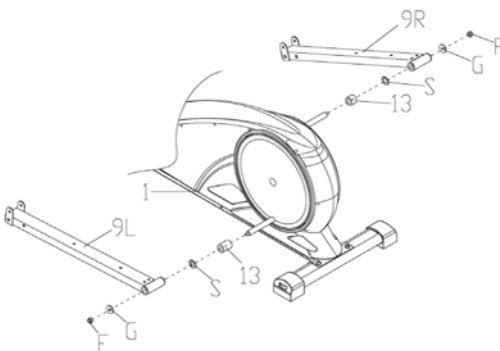
## STEP 3



## STEP 3: INSTALLING THE LOWER HANDLEBARS

Assemble the 2 Plastic Spacers (21), with 1 Washer (S), the Upper Handlebar (7R, 7L) over the Front Post (4). Then tighten the Lower Handle (7R, 7L) with 1 Hex Head Bolt (D), 1 Spring Washer (P) and 1 Washer (E).

## STEP 4

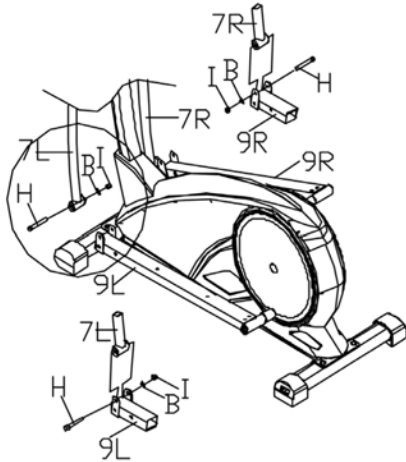


## STEP 4: INSTALLING THE PEDAL ARMS

Slide the Plastic Spacers (13), 1 Washer (S) and the Pedal Arm (9R, 9L) on to the Main Frame (1). Then tighten the Pedal Arms (9R, 9L) with 1 Washer (G) and 1 Nut (F).

# ASSEMBLY STEPS

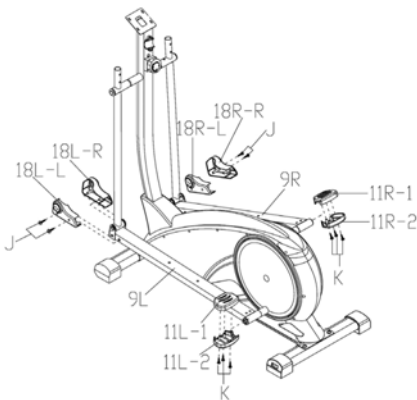
## STEP 5



## STEP 5: INSTALLING THE LOWER HANDLEBAR

Assemble the Lower Handlebar (7R, 7L) through the Pedal Arm (9R, 9L). Then tighten them with 1 Hex Head Bolt (H), 1 Washer (B) and 1 Nut M8 (I).

## STEP 6



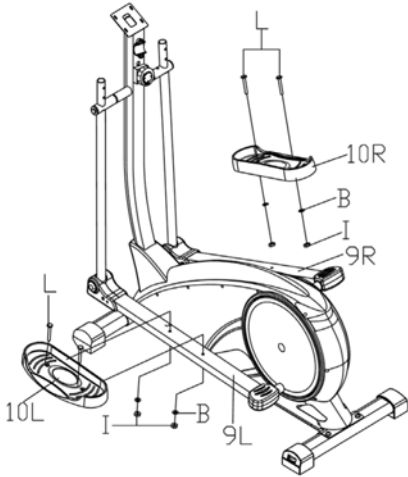
## STEP 6: INSTALLING THE PEDAL BAR

Assemble the End Cap (11R, 11L) on the Pedal Arm (9R, 9L) and tighten them with 3 Screws (K).

Assemble the End Cap (18R, 18L) into the Pedal Arm (9R, 9L) and tighten them with 2 Screws (J).

# ASSEMBLY STEPS

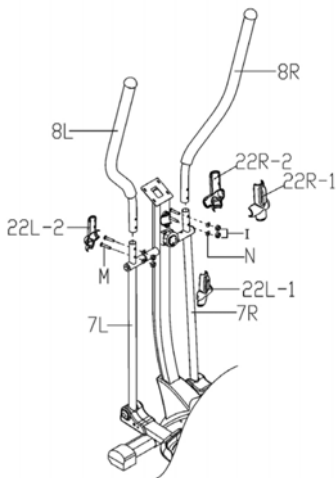
## STEP 7



## STEP 7: INSTALLING THE PEDAL

Assemble the Pedal (10R, 10L) on to the Pedal Arm (9R, 9L) and tighten them with 2 Hex Head Bolts (L) and 2 Washers (B) and 2 Nuts (I).

## STEP 8



## STEP 8: INSTALLING THE HANDLEBARS

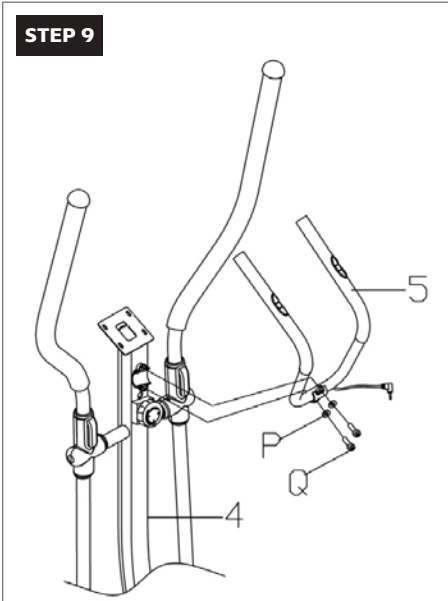
Slide the Upper Handlebars (8R, 8L) into the Lower Handlebars (7R, 7L).

Tighten the Lower Handlebars (7R, 7L) on the Upper Handlebars (8R, 8L) with 2 Bolts (M), 2 Curved Washers (N) and 2 Nuts (I).

Then clip the Handlebar Covers (22 R, 22 L) on the Lower Handlebar (7R, 7L).

# ASSEMBLY STEPS

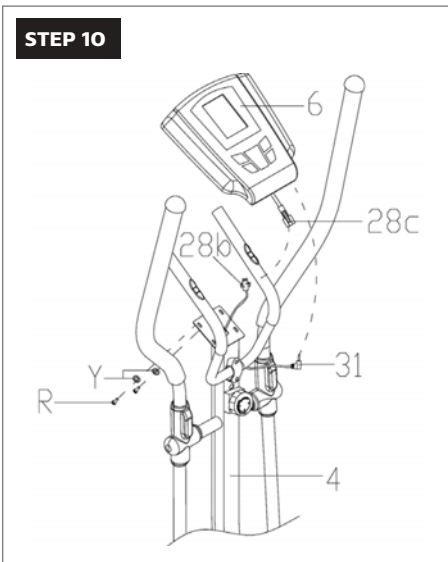
## STEP 9



## STEP 9: INSTALLING THE MIDDLE HANDLEBAR

Attach the Middle Handlebar (5) to the Front Post (4) and tighten them with 2 Spring Washers (P) and 2 Bolts (Q).

## STEP 10



## STEP 10: INSTALLING THE CONSOLE

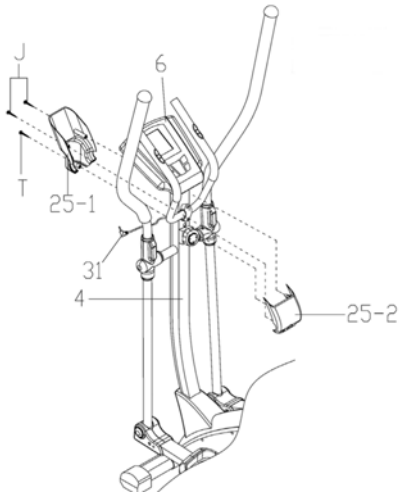
Unfasten the Screws (R) in the Console (6), and connect the Console Wire (28c, b).

Attach the Console (6) to the Console Bracket on the Front Post (4). Tighten the 2 Screws (R) with 2 Washers (Y).



# ASSEMBLY STEPS

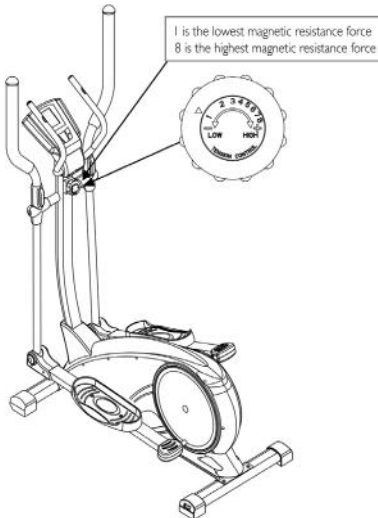
## STEP 11



## STEP 11: INSTALLING THE CONSOLE

Fit the Front Post Cover (4) and tighten with 2 Screws (J) and 1 Screw (T).

Connect the Handle Pulse Wire (31) to the socket at the bottom of the Console (6).



# CONSOLE FUNCTIONS



## SPECIFICATIONS:

AUTO SCAN	Every 6 Seconds
RUNNING TIME	00:00 - 99:59 Min:Sec
CURRENT SPEED	0.0 - 999.9 KM/H or MI/H
TRIP DISTANCE	0.00 - 999.9 KM
CALORIES	0.00 - 999.9 ~ 9999 CAL
TOTAL DISTANCE	0.00 - 9999 KM
PULSE RATE	40 - 240 BPM
BATTERY TYPE	2 X AA
OPERATING TEMPERATURE	0° ~ +40°C
STORAGE TEMPERATURE	-10° ~ +60°C

## FUNCTION BUTTON:

### ALARM:

Time, Distance and Calorie can be set as a countdown workout. Once on the desired function, press MODE to select the function and press SET to adjust to the desired countdown value. Once the desired value has reached 0, the console will beep for 15 seconds.

### AUTO ON/OFF & START/STOP:

If there is no reading for 8 minutes, the power will turn off automatically. As long as the wheel is in motion or buttons are pressed the console will remain on.

### RESET:

All set parameters will be reset.

### SWITCH KEY MODE:

Each time MODE is pressed, it will change to the MODE setting: SCAN > TIME > SPEED > DISTANCE > CALORIE > ODO > PULSE. To reset the console, hold the MODE button for 2 seconds.

## FUNCTIONS AND OPERATIONS:

### KEY FUNCTIONS:

Put 2 AA batteries into the console, which will provide an activation beep and the LCD displays all functions for approximately 2 seconds.

### SCAN:

Press MODE button until "▼" appears on SCAN. At this setting, the console will rotate through each of the 5 different functions: Time, Speed, Distance, Calorie and Trip Distance. Each of these functions will be displayed for 6 seconds.

### TIME:

Press MODE button until "▼" appears on TIME. At this setting a count of the total time from the start of the exercise will be displayed.

### SPEED:

Press MODE button until "▼" appears on SPEED. At this setting the current speed will be displayed.

# CONSOLE FUNCTIONS

- DISTANCE:** Press MODE button until “▼” appears on DISTANCE. At this setting the distance travelled from the beginning of the exercise will be displayed.
- CALORIE:** Press MODE button until “▼” appears on CAL. At this setting the total calories burnt from the start of the exercise will be displayed.
- TOTAL DIST (ODO):** Press MODE button until “▼” appears on ODO. At this setting the total distance travelled after the batteries were installed will be displayed.
- PULSE:** Press MODE button until “▼” appears at PULSE. At this setting the console will display your current heart beat rate in beats per minute (BPM) on the LCD after 3-4 seconds. Before measuring your pulse rate, please place both your palms on the contact pads. Ensure that your hands are moist to make the correct contact with the sensors.
- NOTE:** The measurement value cannot be regarded for medical treatment and should be used as a guide.

# EXERCISE INSTRUCTIONS

Using your Trojan Summit 280 Elliptical Trainer provides you with several benefits, it will improve your physical fitness, tone muscle and in conjunction with a calorie controlled diet, help you lose weight.

## THE WARM UP PHASE

This stage helps get the blood flowing around the body and the muscles working properly. It will also reduce the risk of cramp and muscle injury. It is advisable to do a few stretching exercises as shown below. Each stretch should be held for approximately 30 seconds, do not force or jerk your muscles into a stretch. If it hurts, **STOP**.



SIDE BENDS



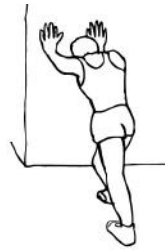
FORWARD BENDS



OUTER THIGH



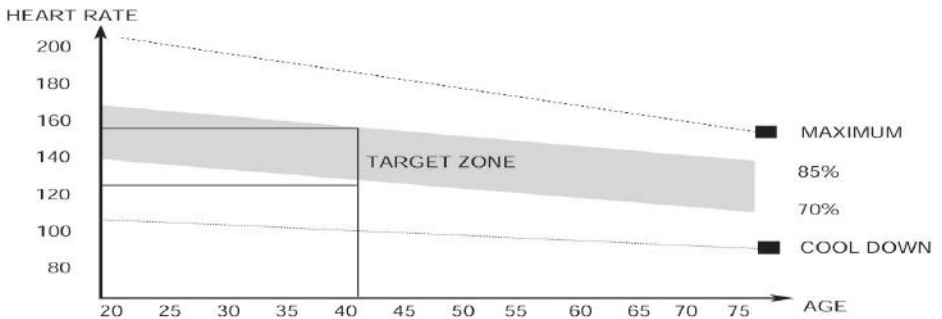
INNER THIGH



CALF STRETCH

## THE EXERCISE PHASE

This is the stage where you put the effort in. After regular use, the muscles in your legs will become stronger. Work at your own pace, but it is very important to maintain a steady tempo throughout. The rate of work should be sufficient to raise your heart beat into the target zone shown on the graph below.



This stage is to let your Cardiovascular System and muscles wind down. This is a repeat of the warm up

# EXERCISE INSTRUCTIONS

exercise i.e. reduce your tempo, continue for approximately 5 minutes. The stretching exercises should now be repeated, again remembering not to force or jerk your muscles into the stretch.

As you get fitter you may need to train longer and harder. It is advisable to train at least 3 times a week, and if possible space your workouts evenly throughout the week.

## **MUSCLE TONING**

To tone muscle while on your the Trojan Summit 280 Elliptical Trainer you will need to have the resistance set quite high. This will put more strain on your leg muscles and may mean you cannot train for as long as you would like. If you are also trying to improve your fitness, you need to alter your training program. You should train as normal during the warm up and cool down phases, but towards the end of the exercise phase you should increase resistance, making your legs work harder than normal. You may have to reduce your speed to keep your heart rate in the target zone.

## **WEIGHT LOSS**

The important factor here is the amount of effort you put in. The harder and longer you work the more calories you will burn.

# FITNESS TIPS & TECHNIQUES

## AEROBIC EXERCISE

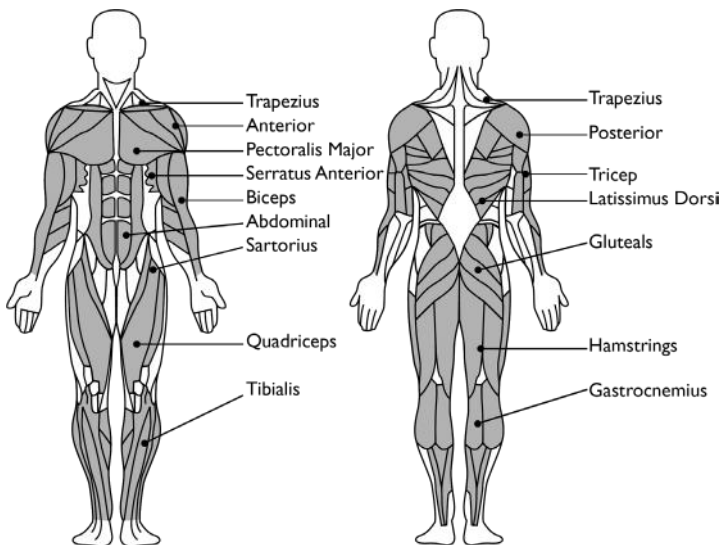
Aerobic exercise is any sustained activity that sends oxygen to your muscles via your heart and lungs. Aerobic exercise improves the fitness of your lungs and heart – your body’s most important muscle. Aerobic exercise fitness is promoted by any activity that uses your large muscles (arms, legs, or buttocks, for example). Your heart beats quickly and you breathe deeply. An aerobic exercise should form part of your entire exercise routine.

## WEIGHT TRAINING

Along with aerobic exercising which helps get rid of and keep off the excess fat that our bodies can store, weight training is an essential part of the exercise routine process. Weight training helps tone, build and strengthen muscle. If you are working above your target zone, you may want to do a lesser amount of reps. Always consult your physician before beginning any exercise program.

## MUSCLE CHART

The exercise routine that is performed on the Trojan Summit 280 Elliptical Trainer will develop the upper and lower body muscle group as well as condition the circulatory system and provide a good aerobic workout. These muscle groups are highlighted on the muscle chart below.



# CONDITIONING GUIDELINES

How you begin your exercise program depends on your physical condition. If you have been inactive for several years, or are severely overweight, you must start slowly and increase your time on the equipment, a few minutes per workout.

Initially, you may be able to exercise only for a few minutes in your target zone, however, your aerobic fitness will improve over the next 6 to 8 weeks. Don't be discouraged if it takes longer. It's important to work at your own pace. The better your aerobic fitness, the harder you will have to work to stay in your target zone. Please remember these essentials:

- Have your doctor review your training and diet programs to advise you of a workout routine you should adopt.
- Begin your training program slowly with realistic goals that have been set by you and your doctor.
- Monitor your pulse frequently.
- Establish your target heart rate based on your age and condition.

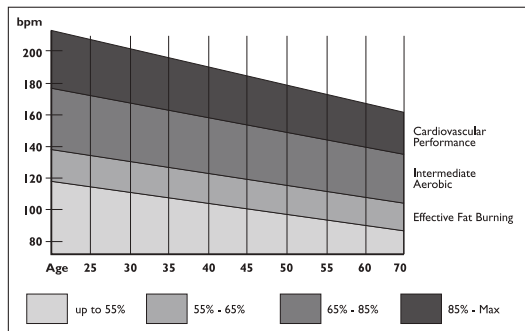
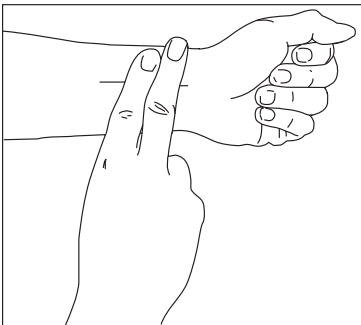
## EXERCISE INTENSITY

To maximise the benefits of exercising, it is important to exercise with the proper intensity. The proper intensity level can be found by using your heart rate as a guide. For effective aerobic exercise, your heart rate should be maintained at a level between 65% and 85% of your maximum heart rate as you exercise. This is known as your target zone. You can find your target zone in the table below.

During the first few months of your exercise program, keep your heart rate near the low end of your target zone as you exercise. After a few months, your heart rate can be increased gradually until it is near the middle of your target zone as you exercise.

To measure your heart rate, stop exercising but continue moving your legs or walking around and place 2 fingers on your wrist. Take a 6 second heartbeat count and multiply the results by 10 to find your heart rate. For example, if your 6 second heartbeat count is 14, your heart rate is 140 beats per minute. (A 6 second count is used because your heart rate will drop rapidly when you stop exercising).

Adjust the intensity of your exercise until your heart rate is at the proper level.



# WARM UP & COOL DOWN

## WORKOUT GUIDELINES

Each workout should include the following 3 parts:

- 1. A WARM-UP:** 5 to 10 minutes of stretching and light exercise. A proper warm-up increases your body temperature, heart rate, and circulation in preparation for exercise.
- 2. TRAINING ZONE EXERCISE:** 20 to 30 minutes of exercising with your heart rate in your training zone. (Note: During the first few weeks of your exercise program, do not keep your heart rate in your training zone for longer than 20 minutes).
- 3. COOL-DOWN:** 5 to 10 minutes of stretching. This will increase the flexibility of your muscles and will help to prevent post-exercise problems.

## EXERCISE FREQUENCY

To maintain or improve your condition, plan 3 workouts each week, with at least 1 day of rest between workouts. After a few months of regular exercise, you may complete up to 5 workouts each week, if desired. Remember, the key to success is to make exercise a regular and enjoyable part of your everyday life.

## SUGGESTED STRETCHES

The correct form for several basic stretches are shown on the right. Move slowly as you stretch, hold the position and never bounce.

### 1. TOE TOUCH STRETCH

Stand with your knees bent slightly and slowly bend forward from your hips. Allow your back and shoulders to relax as you reach down toward your toes as far as possible. Hold for 15 counts, and then relax. Repeat 3 times.

**Stretches:** Hamstrings, back of knees and back.

### 2. HAMSTRING STRETCH

Sit with 1 leg extended. Bring the sole of the opposite foot toward you and rest it against the inner thigh of your extended leg. Reach toward your toes as far as possible. Hold for 15 counts, and then relax. Repeat 3 times for each leg.

**Stretches:** Hamstrings, lower back and groin.

### 3. CALF/ACHILLES STRETCH

With 1 leg in front of the other, reach forward and place your hands against a wall. Keep your back leg straight and your back foot flat on the floor. Bend your front leg, lean forward and move your hips toward the wall. Hold for 15 counts, and then relax. Repeat 3 times for each leg. To cause further stretching of the Achilles tendons, bend your back leg as well.

**Stretches:** Calves, Achilles tendons and ankles.

### 4. QUADRICEPS STRETCH

With 1 hand against a wall for balance, reach back and grasp 1 foot with your other hand. Bring your heel as close to your buttocks as possible. Hold for 15 counts, then relax. Repeat 3 times for each leg.

**Stretches:** Quadriceps and hip muscles.

### 5. INNER THIGH STRETCH

Sit with the soles of your feet together and your knees outward. Pull your feet toward your groin area as far as possible. Hold for 15 counts, and then relax. Repeat 3 times.

**Stretches:** Quadriceps and hip muscles.





# MAINTENANCE

## CLEANING

The Trojan Summit 280 Elliptical Trainer can be cleaned with a soft cloth and mild detergent. Do not use abrasives or solvents on plastic parts. Please wipe your perspiration off the Trojan Summit 280 Elliptical Trainer after each use.

Please inspect all assembly bolts and pedals on the machine for proper tightness before use.

## STORAGE

Store the Trojan Summit 280 Elliptical Trainer in a clean and dry environment away from children.

# TROUBLESHOOTING

PROBLEM	SOLUTION
There is no display on the Console.	<ol style="list-style-type: none"><li>1. Remove the Console and verify the wire that comes from the Console is properly connected to the wire that comes from the Main Frame.</li><li>2. Check if the batteries are correctly positioned and that the battery springs are in proper contact with batteries.</li><li>3. The batteries in the Console may be dead. Change to new batteries.</li></ol>
Squeaking noise when in use.	There may be a loose bolt, please inspect the bolts and tighten if necessary.

# 2 YEAR LIMITED WARRANTY

The Manufacturer hereby provides a warranty to the original purchaser of this product ('the Consumer') that this product will be free of manufacturing defects in materials and workmanship which under normal, personal, family or household use (commercial use expressly excluded) manifest themselves within the 2 years from the date of purchase.

## EXCLUSIONS

- The warranty does not include and will not be construed to cover products damaged as a result of disaster, misuse, commercial use, not in accordance within the written instructions included with the product, abuse and/or any non-authorized modification of the product, incorrect installation of the product or normal wear and tear.
- All demo models carry a 3 month warranty.

## WAIVER

The warranty and the obligations of the Manufacturer provided herein are in lieu of, and the Consumer, waives all other warranties, guarantees, conditions or liabilities, express or implied, arising by law or otherwise, including without limitation, any obligation of the Manufacturer in respect of any injury, loss or damage (direct, indirect or consequential) arising out of the use of, or inability to use this product and whether or not occasioned by the Manufacturer's negligence or any act or omission on its part.

## PROOF OF PURCHASE

Any claim in terms of the warranty must be supported by a proof of purchase or a warranty number. Warranty numbers can be issued through contacting our Trojan Call Centre on 0861 Trojan (0861 876526) or online at [www.trojanhealth.co.za](http://www.trojanhealth.co.za). Customers residing outside South Africa can contact us on +27 10 206 4405. If such proof is not available, then notwithstanding anything to the contrary herein, the service agent's prevailing charges for services/repairs including call out and/or spares will be payable by the Consumer upon collection or delivery of the repaired product.

The Consumer does not need to return the product to the store. The Consumer should call the Trojan Call Centre on 0861 Trojan (0861 876526). Customers residing outside South Africa can contact us on +27 10 206 4405 and the call centre will advise of the procedure. During the warranty period the product may only be serviced and/or repaired by the Manufacturer's duly authorised agent(s).

<b>TROJAN</b>		ATTACH RECEIPT
<b>CLIENT DETAILS</b>		
NAME: _____		
EMAIL: _____	CELL: _____	
TEL(H): _____	TEL(W): _____	FAX: _____
ADDRESS: _____		
_____		
<b>PRODUCT DETAILS</b>		
DATE OF PURCHASE: dd / mm / yy	SERIAL NUMBER: _____	TILL SLIP NUMBER: _____
DESCRIPTION OF PURCHASE: _____		
_____		
<b>BRANCH PURCHASED AT</b>		
_____		
_____		
<b>0861 TROJAN (0861 876526) / +27 10 206 4405</b>		<b>WWW.TROJANHEALTH.CO.ZA</b>

# REPAIRS PROCEDURE

Should you experience any faults or breakdowns on your Trojan equipment, please adhere to the following procedure to have the fault rectified speedily and professionally.

Do not return the product to the store.

Call the Trojan Call Centre on 0861 Trojan (0861 876526) to log the faulty product (under warranty or out of warranty). Customers residing outside South Africa can contact us on +27 10 206 4405.

The operator or technical advisor will try identify the fault, and will book a service team call out.

The service team will endeavour to fix the problem in your home on an agreed date and time.

Only if the fault cannot be repaired in the convenience of your home, will the service team take the faulty product back to the service centre.

Items repaired in our service centre will be returned to your home on an agreed date and time.

**Note:** Should you live in an outlying area or outside South Africa, it may be necessary to return the product to the store nearest to you. Our service operator will advise you of your repair procedure.

## COST OF REPAIRS

### UNDER WARRANTY

Any items still under warranty will be repaired free of charge, as long as it complies with the terms and conditions of the warranty (refer to “warranties” section in this manual). Any items that need to be repaired that are NOT covered in the warranty will be for the Consumer’s expense. A quote for the repair/replacement of these items will be provided to the Consumer for approval prior to repairs being conducted.

### OUT OF WARRANTY

Any items that need to be repaired once the warranty has expired will be for the Consumer’s expense including call out fees.

A quote for the repair/replacement of these items will be provided to the Consumer for approval prior to repairs being conducted.

## 2 YEAR WARRANTY

If this product proves to be faulty during normal use due to defective materials or workmanship. Refer to our website for terms and conditions.



0861 876 525

0861 TROJAN

+27 10 206 4405

Please call us for any product queries, after sales support, repairs or installations.

Manufactured for Masstores (Pty) Ltd.

16 Peltier Drive, Sunninghill, Ext 6, Sandton, 2146, South Africa

**MADE IN CHINA**

Always consult a physician before starting a new exercise routine

Use in conjunction with a healthy eating plan

Only use product for its intended purpose to prevent injury

Visit [facebook.com/trojanhealth](https://www.facebook.com/trojanhealth)  
[www.trojanhealth.co.za](http://www.trojanhealth.co.za)  
[www.instagram.com/trojanhealth](https://www.instagram.com/trojanhealth)

Like us on  
**facebook**

#18M11T034